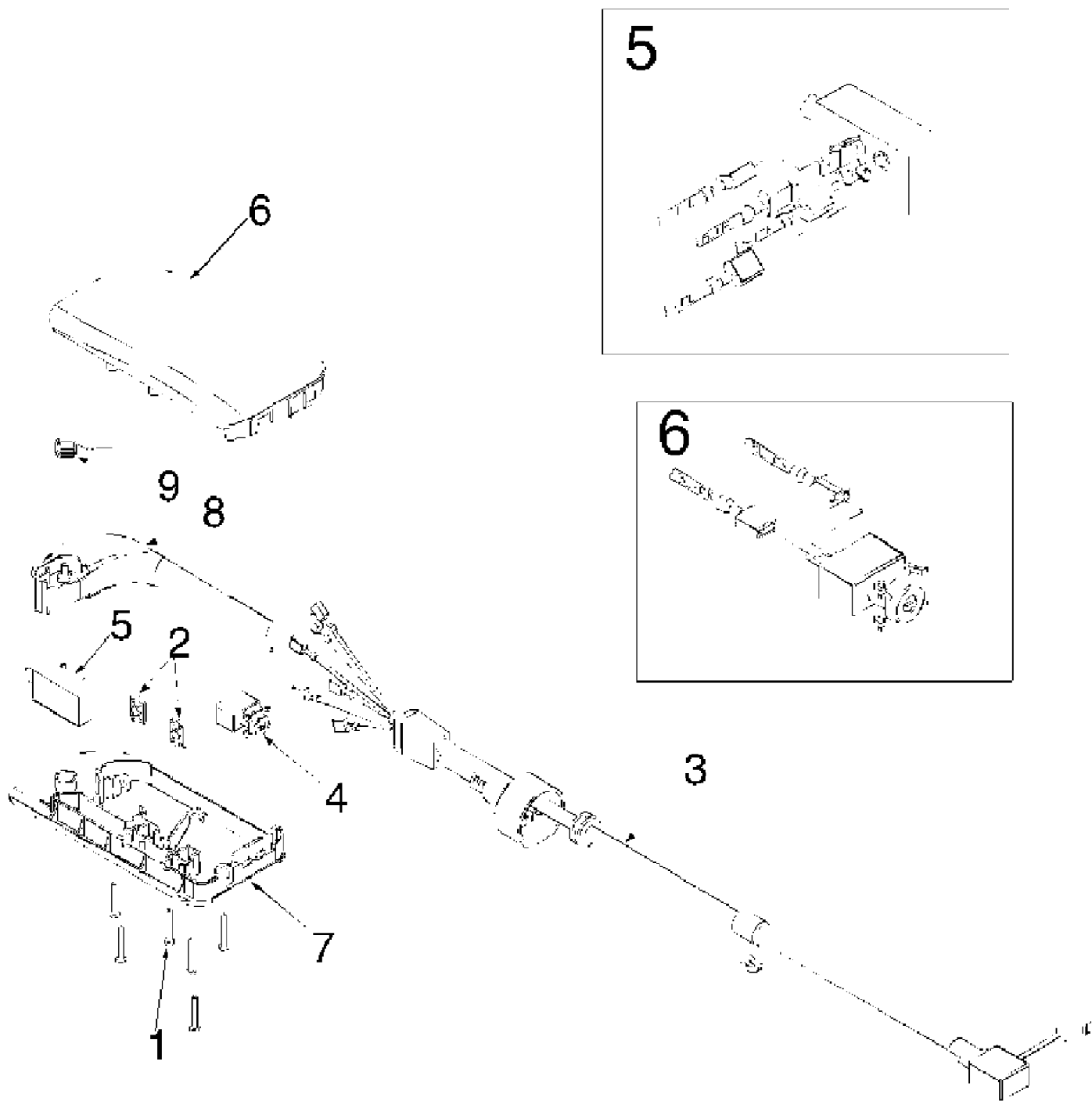


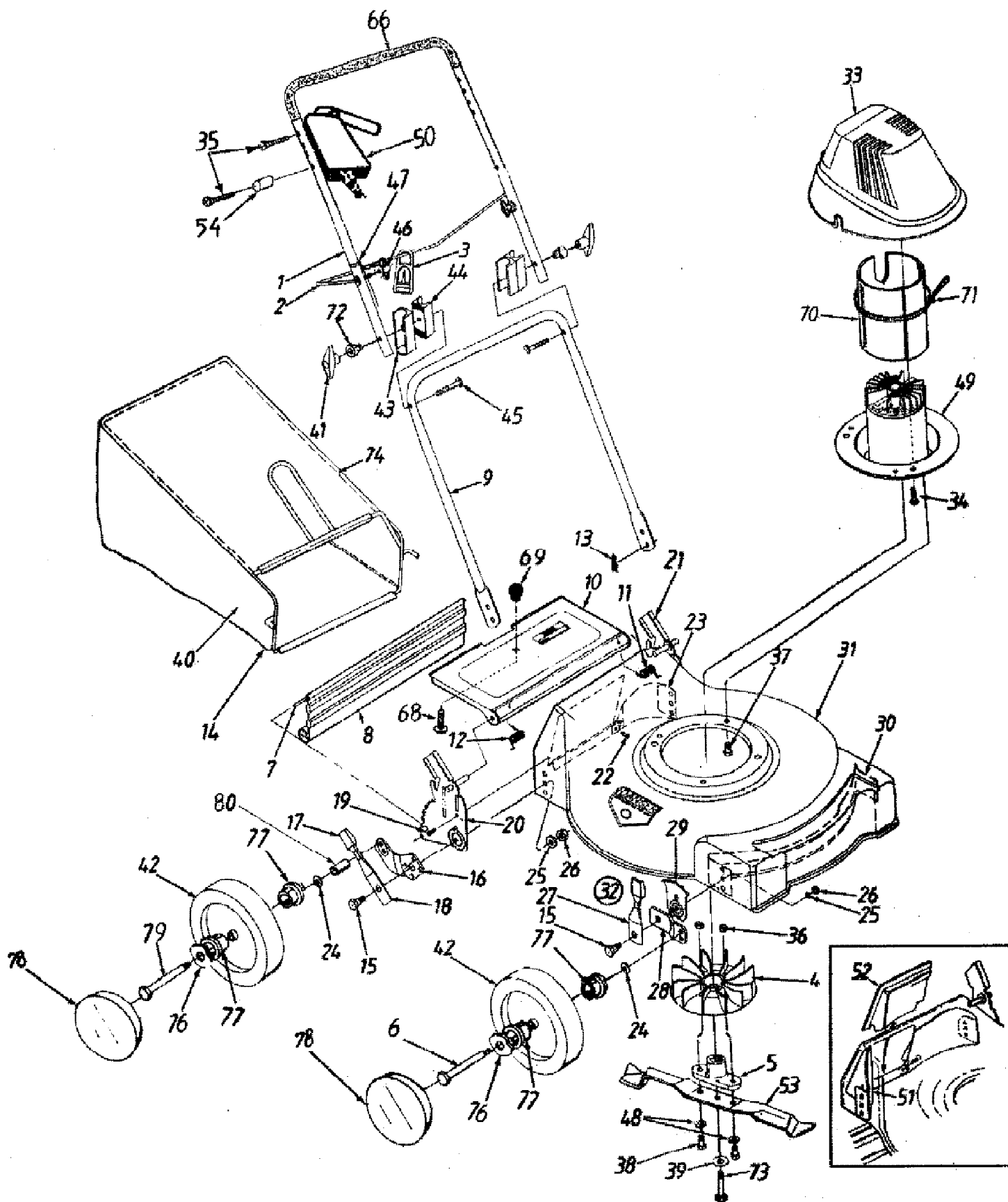
18A-407-190 LC-407 (1998)
Cord & Switch Assembly



18A-407-190 LC-407 (1998)
Cord & Switch Assembly

Page 2 of 7

Ref #	Part Number	Qty	S/P/F	Description
	625-0050	1		Exploded View Of Cord & Switch Assembly
1	710-1150	1	/P	Scr. Hx . Lock #7-19 X 1.00 Lg.
2	712-0189	1	S	Nut Weld Tab 1/4-20 Thd.
3	724-0248	1		Cord w/Plug
4	725-1712	1	S	Circuit Breaker
5	725-1731	1		Switch
6	731-1985	1		Upper Switch Housing
7	731-1986	1		Lower Switch Housing
8	731-1987	1		Control Lever
9	732-0935	1		Torsion Spring



18A-407-190 LC-407 (1998)
Deck, Handle And Wheel Assembly

Page 4 of 7

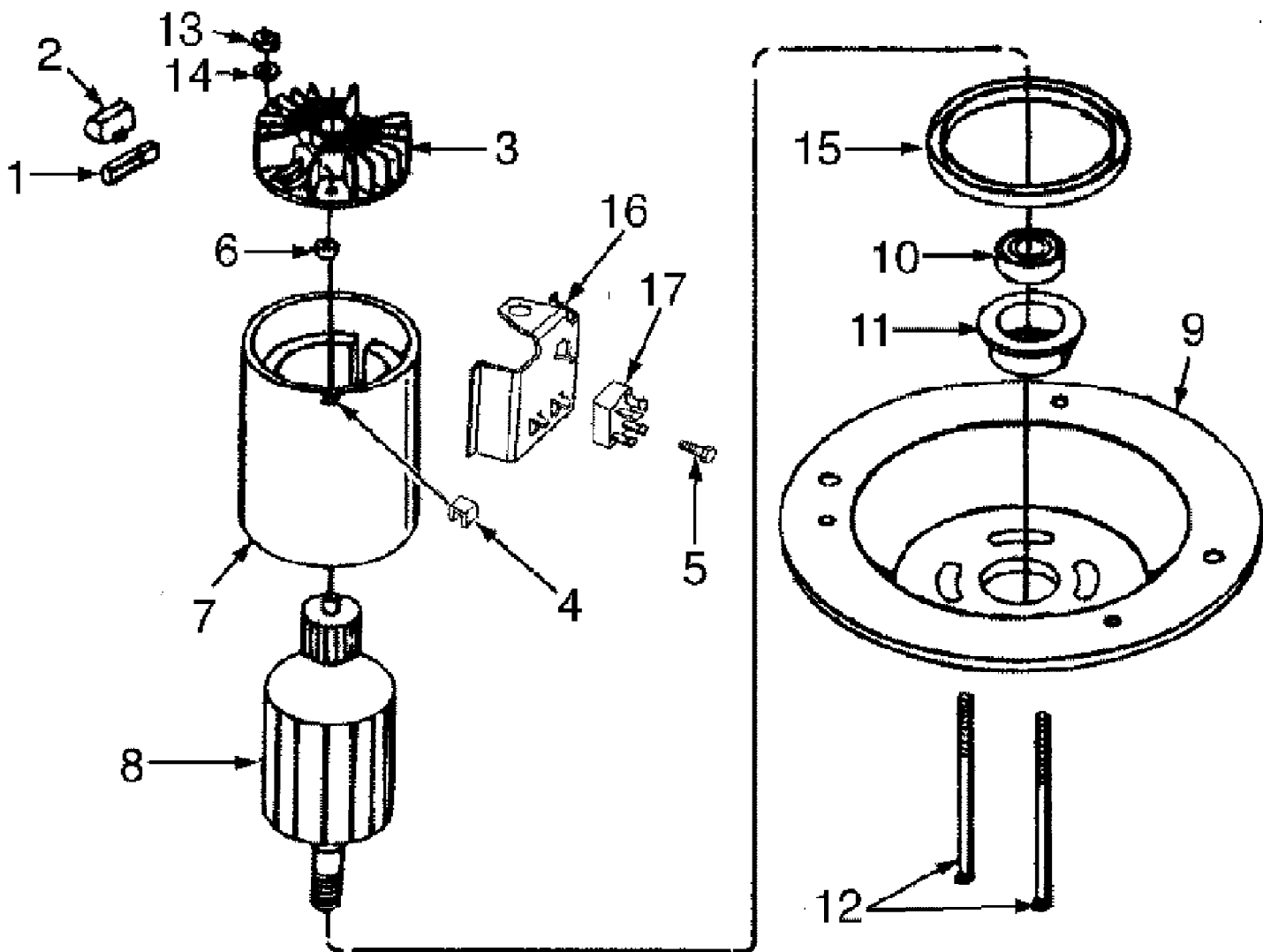
Ref #	Part Number	Qty	S/P/F	Description
1	749-0886	1	S	Upper Handle
2	747-0790	1	S	Cord Control Rod
3	725-1590	1	S	Strain-Relief Cord
4	731-1270	1		Fan
5	748-0356	1		Blade Adapter
6	738-0102	1	S	Axle Bolt
7	732-0712	1		Rear Flap Wire
8	731-1261	1		Rear Flap
9	749-0885	1	S	Lower Handle
10	782-7025	1	S	Chute Door
11	732-0677	1	S	Door Spring (L.H.)
12	732-0678	1		Door Spring (R. H.)
13	714-0104	1	S	Hairpin Clip
14	764-0326	1	S	Front Catcher Frame
15	738-0507B	1	S	Shld. Bolt 5" X .434"
16	14765	1		Pivot Bar (R.H.)
	14766	1		Pivot Bar (L.H.) (Not shown)
17	720-0190	1	S	Spring Lever Knob
18	732-0417A	1	/P	Spring Lever
19	710-0896	1	/P	Hex AB-Tap Scr.
20	682-0514	1	S	Handle Bracket Ass'y. (R.H.)
21	682-0513	1	S	Handle Bracket Ass'y. (L.H.)
22	710-1017	1	/P	Torx . Mach. AB-Tap Scr.
23	782-5026	1	S	Rear Baffle
24	736-0105	1	/P	Bell Washer .38" I.d. x .88" o.d.
25	736-0356	1	S	Bell Washer .39" I.D. x 1.38" o.d.
26	712-0798	1	/P/F	Hex Nut 3/8-16 Thd.
27	14832	1	S	Spring Lever Ass'y. w/Knob
28	15262B	1	/P	Pivot Bar
29	15261A	1	S	Height Adj. Plate
30	782-5025	1	S	Front Baffle
31	782-0054	1	S	19" Deck
32	14578	1	/P	Height Adj. Ass'y. Comp. - R.H.
	14579	1		Height Adj. Ass'y. Comp. - L.H. (Not shown)
33	731-1263	1		Motor Cover
34	710-3009	1	/P	Scr. #10-24 x .75" Lg.
35	710-0605	1	/P	C-Sunk Scr. 1/4-20 x 1.8" Lg.
36	712-0241	1	/P	Hex Nut 3/8-24 Thd.
37	710-0654A	1	/P	Hex Tt-Tap Scr. 3/8-16 x 1" Lg.
38	710-0191	1	/P	Hex Bolt 3/8-24 x 1.25" Lg.
39	736-0452	1	S	Bell Washer .396" I.d. x 1.14"
40	764-0446	1		Grass Bag w/o Icon
	764-0475A	1	S	Grass Bag w/Icon
41	720-0241	1	S	Plastic Knob
42		1		Wheel Ass'y. Comp.
	734-1781	1	/P	Tread Type - Bar 8" X 1.75"
	734-1699	1		Tread Type - Diamond 7" x 1.50"
	734-1841	1	S	Tread Type - Aero Grey Bar 8" x 1.70"
	734-1819	1	S	Tread Type - Link 8" x 2.00"
43	731-1268	1	/P	Upper Handle Insulator
44	731-1267	1	/P	Lower Handle Insulator
45	710-0450	1	/P	Carriage Bolt 5/16-18 x 3 Lg.
46		1		UNKNOWN

18A-407-190 LC-407 (1998)
Deck, Handle And Wheel Assembly

Page 5 of 7

Ref #	Part Number	Qty	S/P/F	Description
47	726-0240	1	S	Cable Tie
48	736-0331	1	/P	Bell Washer 3/8" I.d.
49	624-0099	1	S	Motor, Cord & Switch Ass'y. (Incl. Ref. #50)
50	625-0050	1		Cord & Switch Ass'y. Comp.
51	782-5004	1	S	Mulching Baffle - R.R.
52	782-5007	1	S	Mulching Baffle Plug
53	742-0719	1	S	19" Mulching Blade
54	750-0218	1	S	Spacer
66	720-0295	1	/P	Foam Grip (Optional)
?67	720-0258	1	/P	Hub Cap
68	710-0192	1	/P	Truss Scr. #10-24 x .38" Lg.
69	720-0275	1		Knob
70	726-0209	1	/P	Cable Tie
71	721-0311	1		Insulator Motor Hsg.
72	731-1388	1		Insulator Knob
73	710-1251	1		Hex Bolt 3/8-24 x 2.5"
74	764-0325	1	S	Rear Catcher Frame
76	736-0504	1	S	Wave Washer
77		2 Req'd		Ball Bearing (2 Req'd per wheel)
	741-0484	1	S	Tread Type - Link 8" x 2.00"
78		1		Hub Cap
	720-0249	1	S	Euro - Grey
	720-0258	1	/P	Black - Moon
	731-0981A	1	S	Radial Spoke - Grey
	731-0982A	1	S	Radial Spoke - Beige
79	738-0102	1	S	Rear Axle Bolt
	738-0213	1	/P	Rear Axle Bolt Used with Bearing Wheel
80	750-0535	1	S	Spacer Used with Bearing Wheel

18A-407-190 LC-407 (1998)
Magnet Housing And Motor End Plate Assembly



18A-407-190 LC-407 (1998)

Page 7 of 7

Magnet Housing And Motor End Plate Assembly

Ref #	Part Number	Qty	S/P/F	Description
1	624-0031	1	S	Brush & Liner Assembly
2	724-0200	1	S	Brush Holder Cap
3	624-0070	1		End Shield Assembly. W/plug (Includes Ref. 1, 2 & 6)
4	721-0305	1		Insulator Wire (Output)
5	710-3009	1	/P	Hex Tap Scr. #10-16 x .62" Lg.
6	741-0875	1	/P	Needle Bearing
7		1		Magnet Housing Assembly Not available for service
8	624-0029	1		Armature Assembly
9	624-0062	1		Motor End Plate Assembly. (Includes Ref. 10 & 11)
10	741-0124	1	S	Ball Bearing
11	748-0348	1		Bearing Adapter
12	710-1176	1		Carriage Bolt
13	712-0324	1	/P	Hex L-Nut 1/4-20 Thd.
14	736-3090	1	/P	Fl. Washer .26" I.D. x .72"
15	721-0306	1		Housing Insulator
16	782-5016	1		Brkt. Rectifier/Heat Sink
17	725-1715	1	S	Rectifier
?18	721-0382	1		Heat Sink Compound (Not shown)